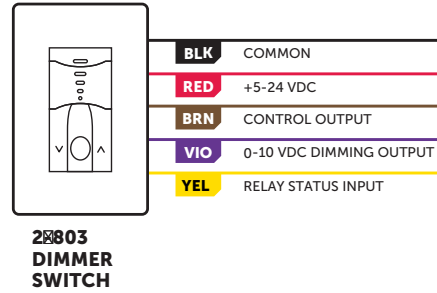
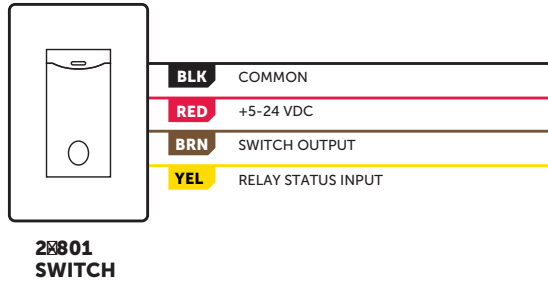


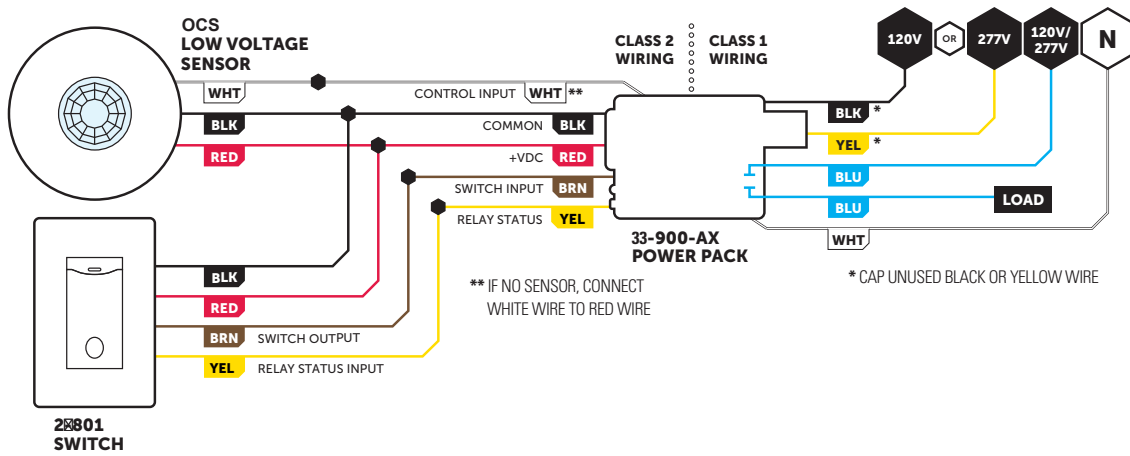
WIRING

STANDARD WIRING



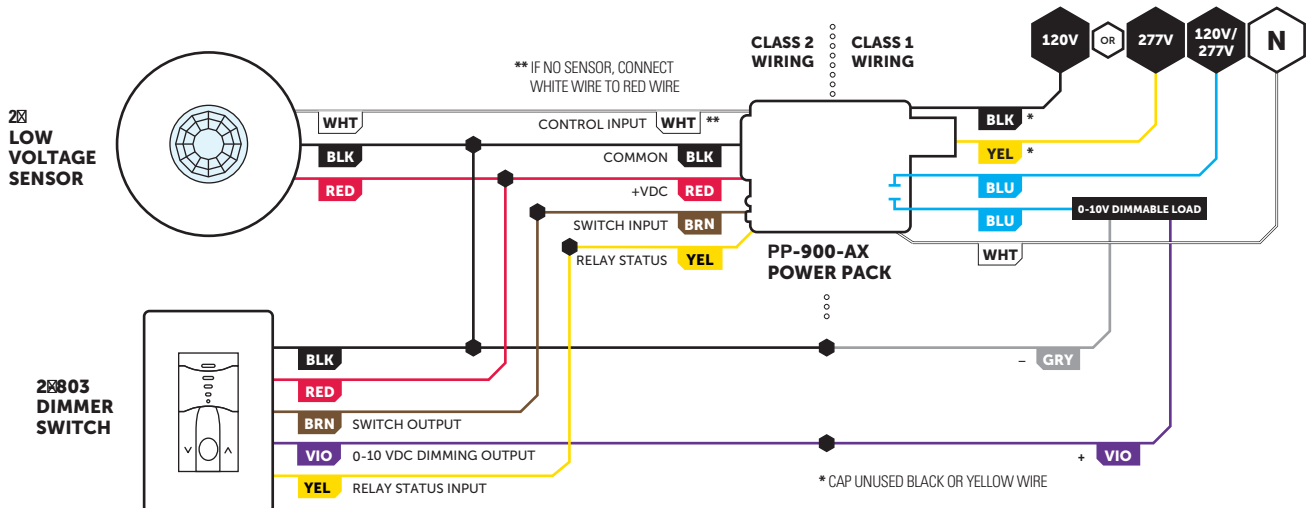
MANUAL ON APPLICATION (VACANCY)

- Default operation of the PP-900-AX is Automatic On (Occupancy) operation. For proper vacancy operation, the PP-900-AX's OPERATIONAL MODE setting needs to be configured for MANUAL ON (VACANCY).
- Additional OCS-801 switches can be wired in parallel to achieve 3-way (or more) operation.
- If no sensor is present, tie power pack low voltage red to low voltage white wire.



MANUAL ON (VACANCY) OR PARTIAL-ON w/ FULL DIMMING CONTROL

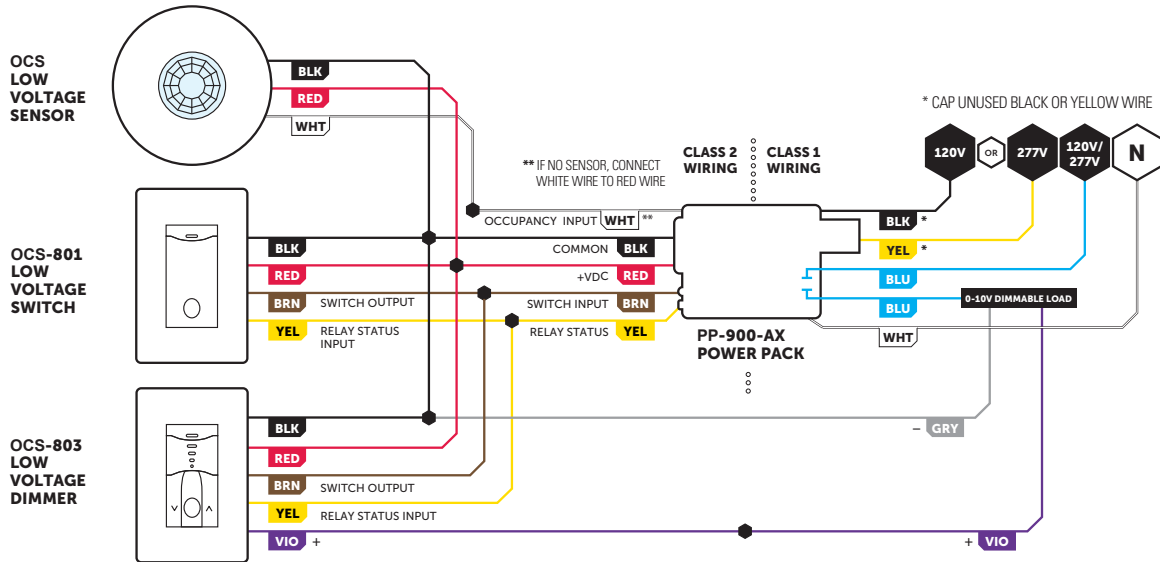
- Lights turn on to last selected level (default) or to preset level (e.g., partial on).
- If no sensor is present, tie power pack low voltage red to low voltage white wire.
- Default operation of the PP-900-AX is Automatic On (Occupancy) operation. For proper vacancy or partial-on operation, the 33-900-AX's OPERATIONAL MODE setting needs to be configured for MANUAL ON (VACANCY).



WIRING CONT.

3-WAY, MANUAL ON (VACANCY) OR PARTIAL-ON w/ FULL DIMMING CONTROL

- Lights turn on to last selected level (default) or to preset level (e.g., partial on).
- If no sensor is present, tie power pack low voltage red to low voltage white wire.
- Default operation of the PP-900-AX is Automatic On (Occupancy) operation. For proper vacancy or partial-on operation, the PP-900-AX's OPERATIONAL MODE setting needs to be configured for MANUAL ON (VACANCY).
- Only one OCS-803 dimmer can be included in 3-way configuration



OPERATION SETTINGS

The one button switch has configurable settings for its LED operation. The three button switch also has several dimming parameters that can be adjusted to accommodate different applications or user preferences.

LED FUNCTIONALITY

- Single button switch (OCS-801) has an LED that is white when lights are on and is a blue locator LED when lights are off.
- Dimming switch (OCS-803) has five white LEDs that indicate the current dim level
- Locator LED can also be programmed to be white and/or more intense
- Locator LED can also be disabled

HIGH-END & LOW-END TRIM

- High-end trim enables energy saving task tuning by setting a maximum level (100%-50%) that which users are allowed to raise lights
- Low-end trim enables minimum user level of dimmer to be raised

TURN ON/TURN OFF DIMMING OPERATION

- Sensor turns on lighting to last user level or can be programmed to a preset level (100%, 50%, or custom)
- Sensor can turn off lighting by switching off power (by opening relay) or dimming below electronic off level
- Lighting can also be held at low-end trim level during unoccupied/off state

FADE ON/FADE OFF TIMES

- Adjustable time for level to ramp up to turn-on level (0.75 sec, 1.5 sec, 3 sec, 5 sec, or 15 sec)
- Adjustable time interval for level to ramp down to off (0.75 sec, 1.5 sec, 3 sec, 5 sec, or 15 sec)

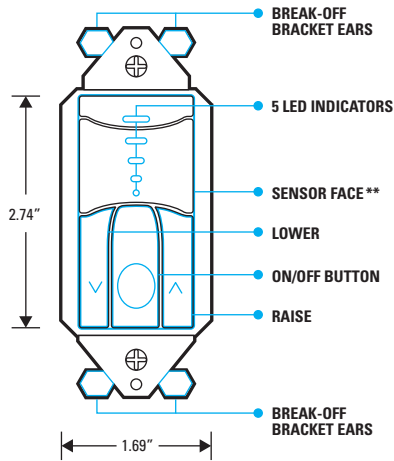
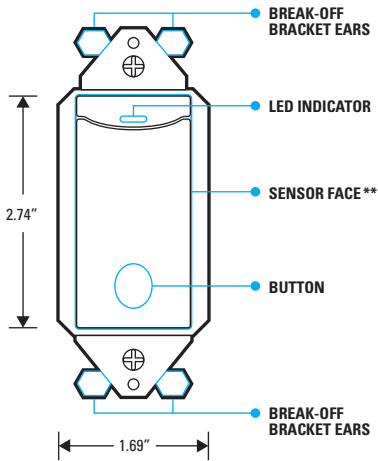
DIMMING CURVE

- The dimming curve defines how the dimmer unit adjust its voltage output in response to button commands
- Linear (default), Square Law, Logarithmic

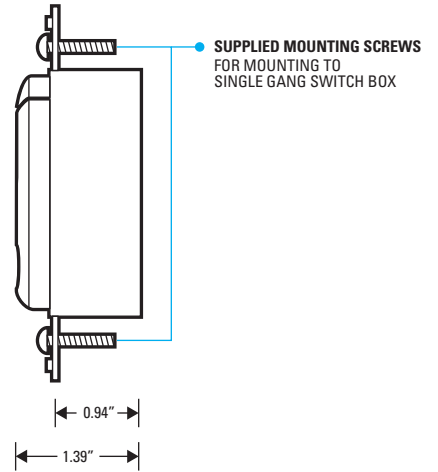
INSTALLATION

Designed to mount in 1-gang wall box with 3.28" hole spacing. Units can also share multiple gang wall boxes with other devices.

FRONT



SIDE



** SENSOR FACE IS FIELD REMOVABLE IN ORDER TO CHANGE COLORS. CONTACT FACTORY FOR ADDITIONAL FACES

ORDERING INFO

SAMPLE MODEL # OCS-801-WH

OCS-801 Low Voltage Decorator Switch - Momentary On/Off
OCS-803 Low Voltage Decorator Switch & Dimmer (0-10V)

COLOR *

White	- WH
Ivory	- IV
Light Almond	- LA
Gray	- GY
Black	- BK
Red	- RD

*WALLPLATE NOT INCLUDED

ACCESSORY

OCS-199 Single Gang Wall Plate
OCS-899-FACE Color Change Kit for OCS-801 Switch
OCS-899-D-FACE Color Change Kit for OCS-803 Dimmer

COLOR

White	- WH
Ivory	- IV
Light Almond	- LA
Gray	- GY
Black	- BK
Red	- RD