

# SWCAN

## INTERIOR

### Digital Addressable Control Station



PROJECT	
LOCATION	

### FEATURES

- Addressability allows for flexibility and ease of setup
- Capable of controlling loads over multiple panels (network panels only)
- Create custom lighting scenes for each button
- Class 2 low voltage
- Status feedback
- Allows for custom labeling
- Wall stations will mirror each other when duplicate addressing is employed

### DESCRIPTION

The Digital Addressable Control Station is an optional component available for lighting control panels. A decorator style switch with up to five buttons offers ON/OFF control of relays and/or groups with the touch of a button. The Digital Addressable Control Station also provides scene control of lighting loads.

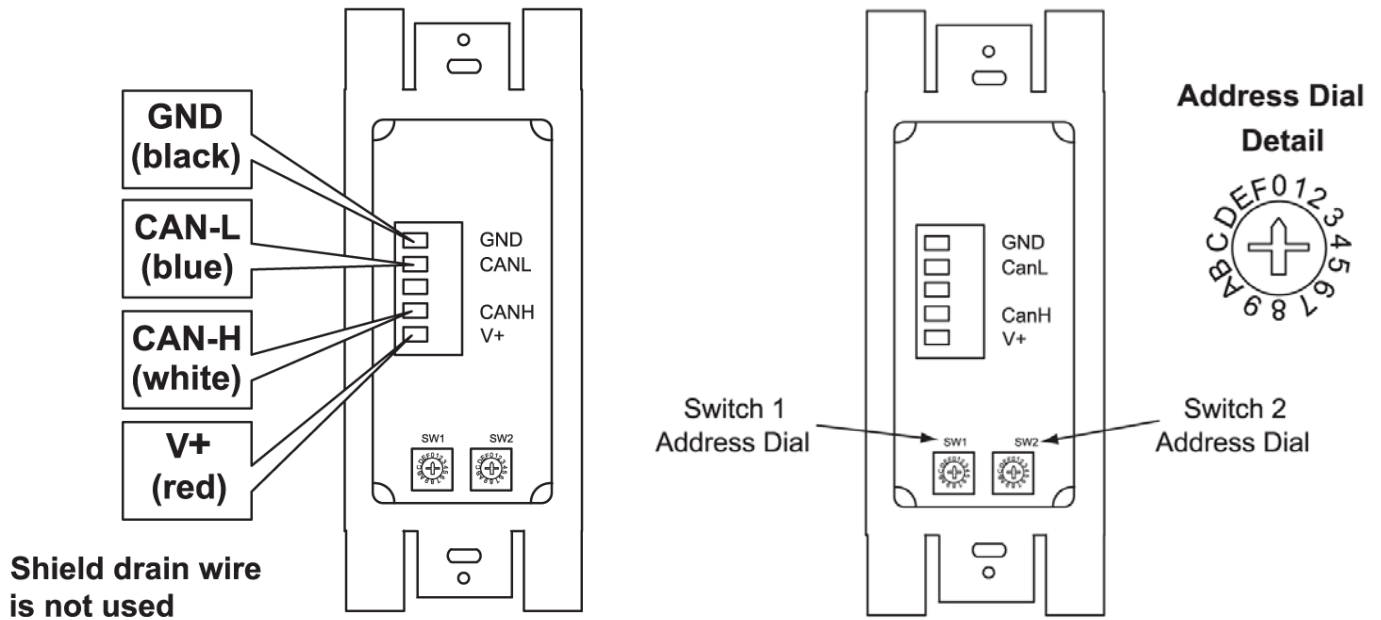
The Digital Addressable Control Station permits multiple control stations to be connected to the lighting control panels. The control stations provide local overrides and status feedback. Advanced system features such as profiles and prioritization can

be applied to these control stations to make your application both contractor and end user friendly. The Digital Addressable Control Station is fully programmable with LED relay status indicators and is available with custom labeling.

The Digital Addressable Control Station allows for custom engraving. When ordering control stations with custom engraving, customers can simply include these instructions in the memo fields of their Purchase Order.

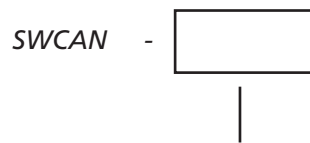
# TECHNICAL DATA - SWCAN

## ONE-LINE DIAGRAM



Recommended Wire: Belden 1502

## ORDERING INFORMATION



Number of Buttons

- 01
- 02
- 03
- 04
- 05

(Available only in white)