

SWPB INTERIOR / EXTERIOR Low Voltage Switch

PROJECT	
LOCATION	



FEATURES

- Available with 1 to 10 buttons on a single station
- Status LED within each button remains on while the circuit is activated
- Matching screwless wallplate
- Switches can be programmed for ON, OFF, ON/OFF, Groups
- Locator LED allows for easy locating of station

DESCRIPTION

This low voltage switch station provides circuit control by depressing individual buttons/switches. This unit is available with one button, or as many as 10 buttons, on a single station. It provides a switched momentary contact which closes a low voltage circuit when a button is depressed. It also provides optional feedback to the user through an LED located within each button. Additionally, each station has a rear illuminated "loc-

tor" LED in the lower left hand corner of the station, allowing the user to find the station within a darkened room.

The buttons are connected with analog wire, requiring 1 wire for each switch leg and 1 wire when connecting the optional LED indicator within each button.

TECHNICAL DATA - SWPB

Input Power:

24VDC

Power Consumption:

Station	Unit Load Consumption @ 24VDC 1 Unit Load = 25mA
1 Button	0.5
2 Button	0.8
3 Button	1.1
4 Button	1.4
5 Button	1.7
6 Button	2
8 Button	2.5
10 Button	3.0

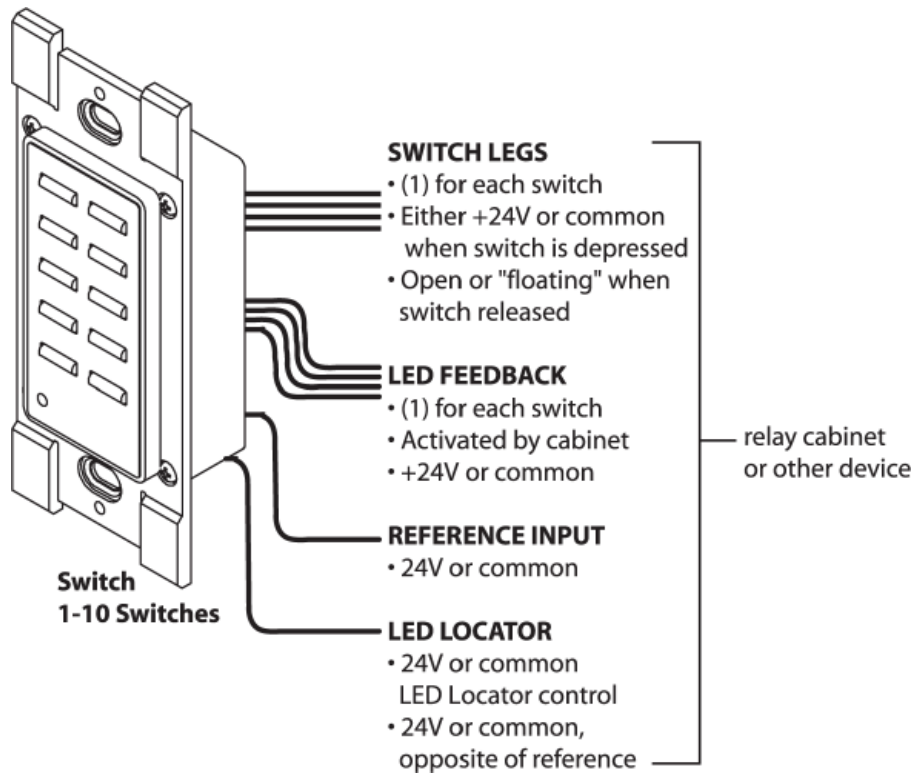
Enclosure Dimensions:

4 5/16"H x 1 5/8"W x 1 3/4"D
Use 2 1/4" Deep switch box

Environmental:

32-104°F (0-40°C) Relative humidity less than 90% non-condensing

ONE-LINE DIAGRAM



ORDERING INFORMATION

