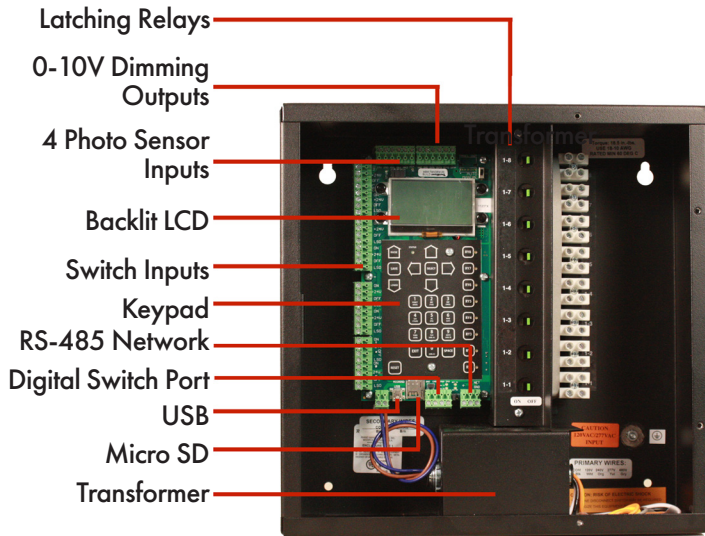


# PLC Multipoint Tandem

## Interior/Exterior Lighting Control System



### APPLICATIONS

- Schools
- Universities
- Warehouses
- Commercial Offices
- Lobbies
- High Rise
- Parking Lots
- Retail Outlets

### DESCRIPTION

Tandem is a feature-rich, all-in-one lighting control system that provides up to 48 relays (increments of 8) in a single enclosure and is available in almost any enclosure type (NEMA 1, 3R, 4X, etc). Ideal for contractors looking for fast and efficient installation of a reliable, robust, scalable and feature-rich lighting control system right off-the-shelf, Tandem's baseline models include many advanced features present only in more advanced systems.

### PROJECT

### LOCATION

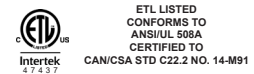
### FEATURES

- Up to 48 relays per enclosure (increments of 8)
- Up to 24 Dimming Outputs for single enclosure (0 - 10V)
- Up to 16 CANbus digital switch stations
- Up to 48 inputs for switches, occ sensors and other dry-contact inputs
- 4 analog inputs for PLC Photosensors
- RS-485 Networking with multiple Tandem Panels
- Multiple enclosure sizes and types available
- Pre-programmed control strategies
- PLC Designer Software Interface available
- Graphic interface with integral keypad
- Reliable 30A mechanically latching relays
- Multiple scheduling options – Normal, Astro, Open/Close Times
- Holiday schedule and daylight savings time capable
- Micro SD (2GB) card for data storage/update
- Mini USB port for direct connection to PC
- BACnet IP / MSTP
- Remote network LAN/WAN Access

Designed to minimize button pushes and produce quicker and easier start-ups (with or without factory support), Tandem is available with many pre-loaded profiles. It's also scalable from one to a virtually unlimited number of networked panels. External networking via BACnet or LAN/WAN remote access via standard Ethernet are also available. The many features and relative simplicity of Tandem will meet the needs of almost any application needing an off-the-shelf solution for simple or complex lighting control operations.

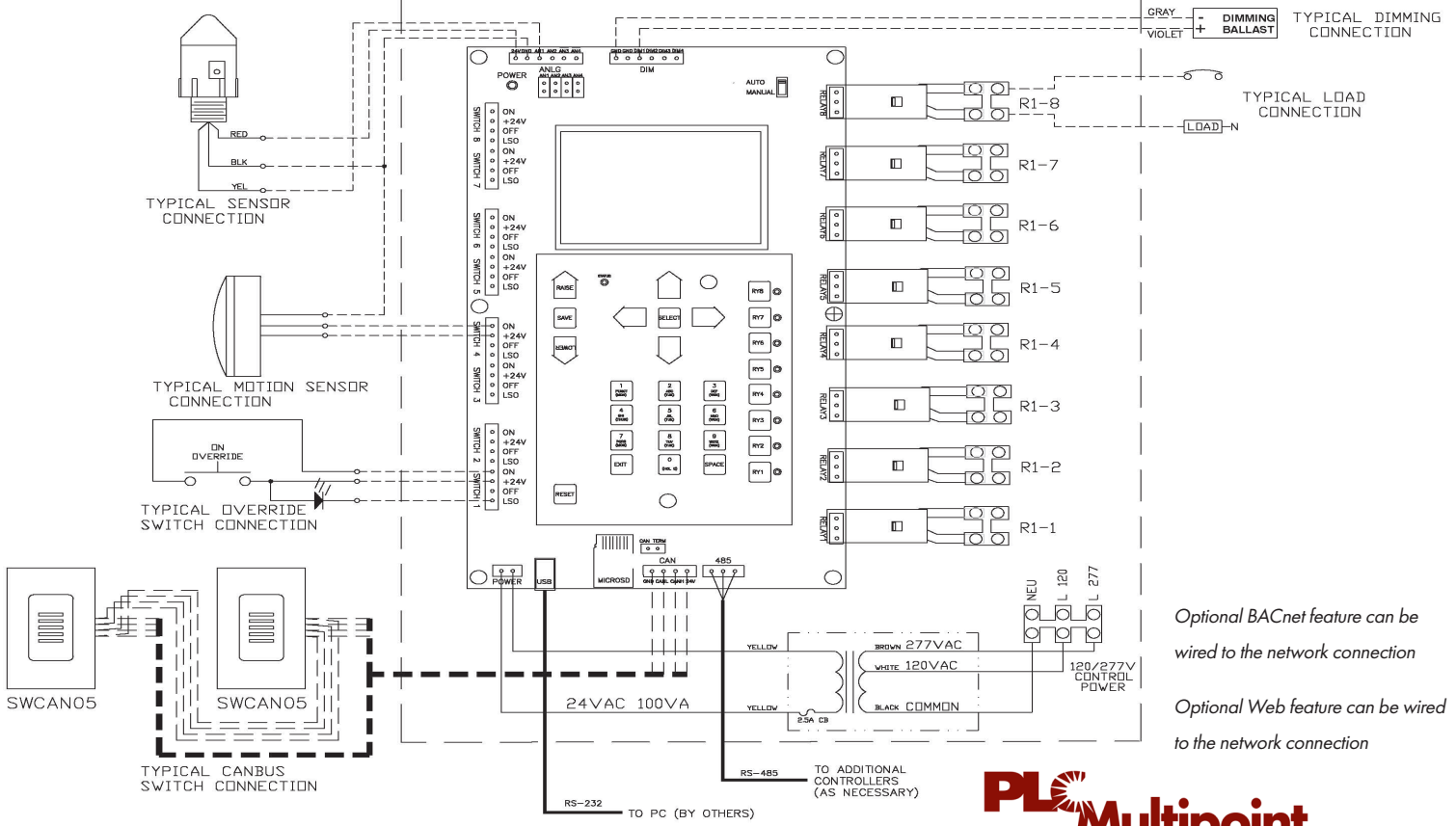
# TECHNICAL DATA

Electrical Control Power:	Primary	120/277VAC, 50VA
	Low Voltage	24VAC 1A
Relay Type:		SPST latching with manual override lever
Relay Rating:	Tungsten	20A @ 277VAC
	Ballast	30A @ 347VAC
	Resistive	30A @ 347VAC
Relay Terminals:		#20 - #8AWG
Switch Types:		Low Voltage Switches
Switch Inputs:		Up to 48 dry contacts monitored by 24VDC
		Single Momentary Pushbutton
		Dual ON/OFF Momentary Pushbutton
		Single RTC Momentary Toggle
		Occupancy Sensor
Analog Inputs:		Four Selectable Channels
		1 - 10VDC for PLC Sensors CES Sensors
		4 - 20mA for PLC Sensors MAS Sensors
Analog Outputs:		0-10VDC
Analog Dataline Length:		500 ft maximum
Digital Switches:		16 CANbus Addresses
Digital Dataline Length:		1,640 ft maximum
Communication:		RS-485
		BACnet IP/MSTP
		Ethernet
Dataline Length:		4,000 ft maximum
Storage:		Micro SD card
Local Overrides:		Hand/Auto override switch
Mechanical Enclosure:		NEMA 1
Size:		(8) 12"H x 12"W x 4.25"D, (16) 21"H x 12"W x 4.25"D, (24/32) 24"H x 20"W x 4.25"D, (40/48) 33"H x 20"W x 4.25"D
Temperature:		32-125°F (0 to 52°C)
Approvals:		UL508A listed
Compliance:		RoHS, California Title 24



# ONE-LINE DIAGRAM

## TANDEM I/O



Optional BACnet feature can be wired to the network connection

Optional Web feature can be wired to the network connection



---

## ORDERING INFORMATION

### Product Number

RT-08-1-U	Tandem Panel with 8 relays
RT-08-1-U-B	Tandem Panel with 8 relays and BACnet communication
RT-08-1-U-W	Tandem Panel with 8 relays and Web communication
RT-16-1-U	Tandem Panel with 16 relays
RT-16-1-U-B	Tandem Panel with 16 relays and BACnet communication
RT-16-1-U-W	Tandem Panel with 16 relays and Web communication
RT-24-1-U	Tandem Panel with 24 relays
RT-24-1-U-B	Tandem Panel with 24 relays and BACnet communication
RT-24-1-U-W	Tandem Panel with 24 relays and Web communication
RT-32-1-U	Tandem Panel with 32 relays
RT-32-1-U-B	Tandem Panel with 32 relays and BACnet communication
RT-32-1-U-W	Tandem Panel with 32 relays and Web communication
RT-40-1-U	Tandem Panel with 40 relays
RT-40-1-U-B	Tandem Panel with 40 relays and BACnet communication
RT-40-1-U-W	Tandem Panel with 40 relays and Web communication
RT-48-1-U	Tandem Panel with 48 relays
RT-BACNET	Separate NEMA1 enclosure, to be used when more than 48 relays are needed or as RT-WEB an add on for an existing TANDEM control.