



SWCANxx-A

INTERIOR Digital Addressable Control Station



PROJECT _____

LOCATION _____

FEATURES

- Addressability allows for flexibility and ease of setup
- Capable of controlling loads over multiple panels (networked panels only)
- Create custom lighting scenes for each button
- Class 2 low voltage
- Provides status feedback
- Allows for custom labeling
- Wall stations will mirror each other when duplicate addressing is employed

DESCRIPTION

The Digital Addressable Control Station is an optional component available for lighting control panels. A decorator style switch with up to five buttons offers ON/OFF control of relays and/or groups with the touch of a button. The Digital Addressable Control Station also provides scene control of lighting loads.

The Digital Addressable Control Station permits multiple control stations to be connected to the lighting control panels. The control stations provide local overrides and status feedback. Advanced system features such as profiles and prioritization can

be applied to these control stations to make your application both contractor and end-user friendly. The Digital Addressable Control Station is fully programmable with LED relay status indicators and is available with custom labeling.

The Digital addressable Control Station can be programmed from the lighting control panel keypad or PLC Designer software. See the Tandem User Manual for more information.

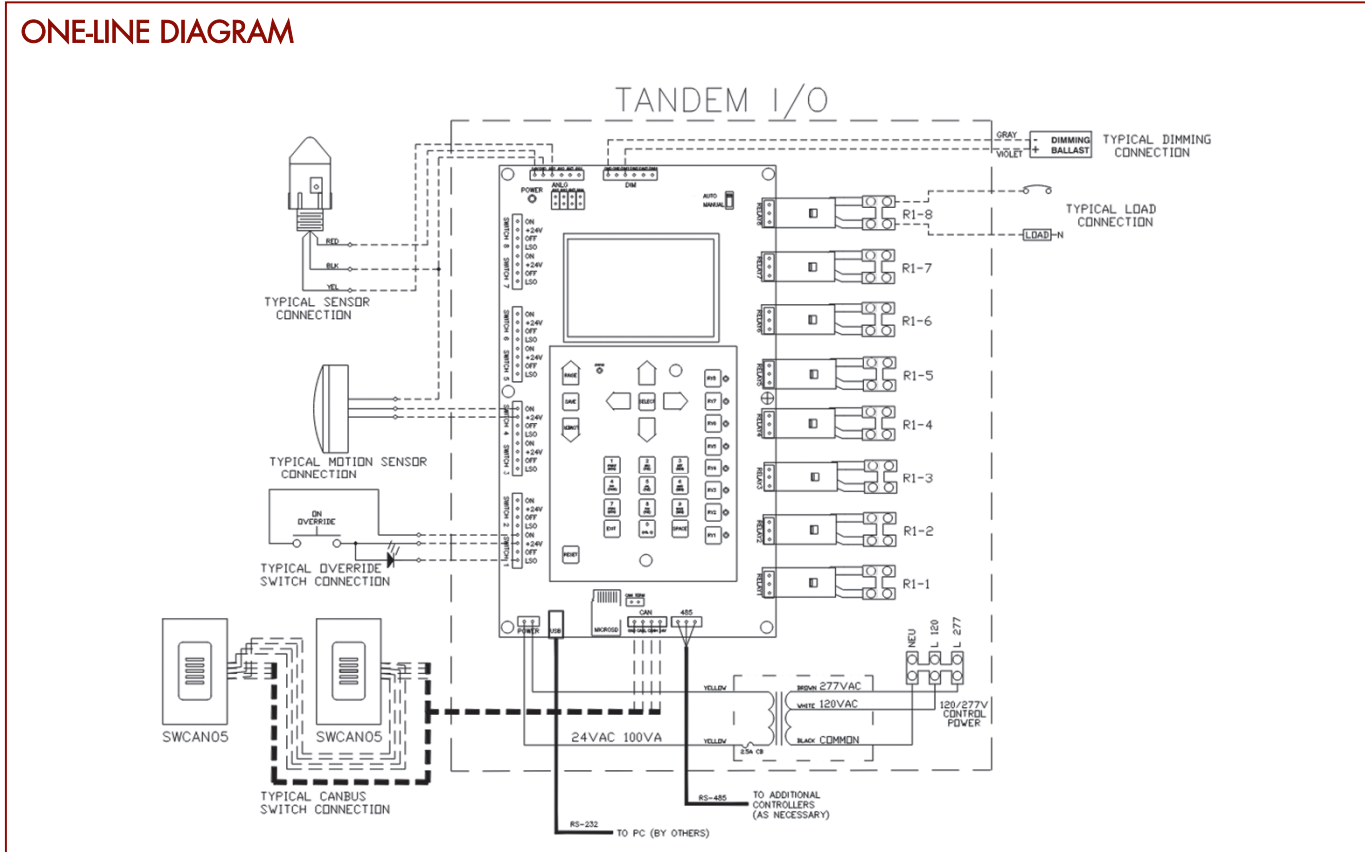
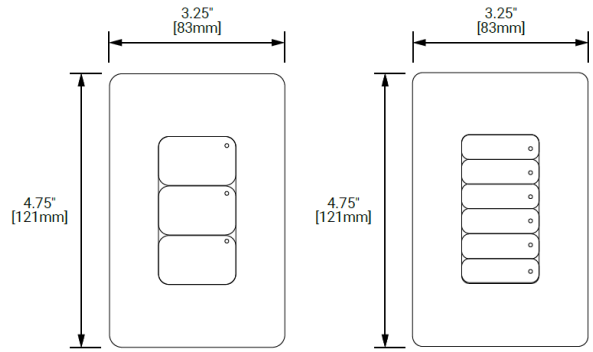
TECHNICAL DATA - SWCANxx-A

▽ ; bfg Bai Wd
 ▽ @Wf ad,
 ▽ EfSfge,
 ▽ I S b SfwE[I W

\$&H65
 53@4ge
 >EA A bff[a`e
 5a_bSf[T M [fz
 VWacSfacēk M S b SfwE
 Class 2 Low Voltage Wiring
 (tested to 12kV ESD)
 ; VaadGeWA` k
 UL, BAA (optional)

- Electrical

▽ 7` h[da`_ Wf,
 ▽ 5Wf[XUSf[a`e



WIRING RECOMMENDATIONS

Wiring multiple switches in a daisy-chain configuration is recommended. Using a star configuration or network with drops may lead to communication issues. Belden 1502 cable or similar recommended

ORDERING INFORMATION

SWCAN - - A Available in White as standard
 Custom colors available (black, ivory, gray, red) - contact customer service

Number of Buttons

01	
02	1 to 3 button configurations provide large buttons
03	4 to 5 button configurations provide small buttons
04	
05	