

OCS-801-K-SS

Momentary Low-Voltage Keyed Switch

Description

- Attractive brushed stainless steel finish
- Mounts to standard single-gang switch box (not provided)
- Low Voltage Class 2 device
- Two keys provided
- Tactile response for On/Off contacts



Specifications

CONSTRUCTION

- 302 stainless plate, barrel type key lock switch
- 2.8"W x 3.55"H x 1.7"D
- 5.0 oz
- Brushed Stainless Steel

ELECTRICAL

- Electrical Rating: 24 VDC, 4 Amp Maximum current
- Electrical Connection: Flying leads, 4 ea. 20 AWG

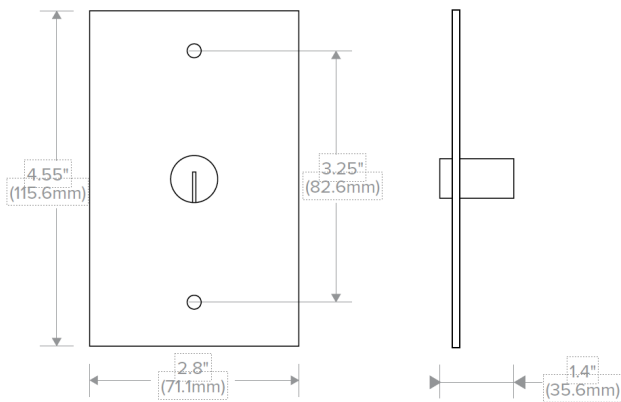
OPERATION

- Key Action: Three position, center neutral, spring loaded right and left action (Key removable in center neutral position only)
- Operating Temperature: 32° to 122°F (0° to 50°C)
- Operating Environment: Indoor use only, relative humidity (non-condensing) 10%-90%

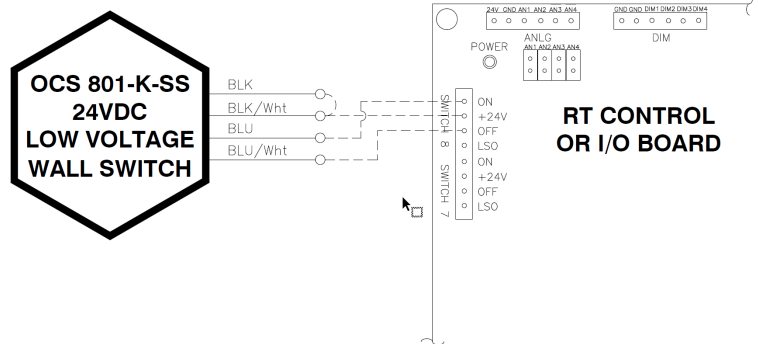
MOUNTING

- Mounting single-gang standard switch box, Raco 500 series or equal

Dimensions



Wiring Diagrams



Ordering Guide

Part Number	Description
OCS-801-K-SS	Low Voltage Key Switch

