



PROJECT

LOCATION



# LOW VOLTAGE 4-BUTTON DIMMER (0-10V)

MOMENTARY OPERATION

## OVERVIEW

The OCS-804 four-button wall station provides an attractive and intuitive 0-10V dimming control solution for a low voltage sensor system. Building codes (e.g., ASHRAE 90.1, IECC, Title 24) now require manual on, partial-on, or full range dimming user operation in addition to an occupancy sensor for automatic off control. The simplest way of achieving this is by adding a low voltage dimmer that interfaces with the power pack controlling space lighting. Adding a switch to a low voltage sensor system also enables users to override a space's lighting off, if necessary. Additionally, the OCS-804 white LED indicator changes intensity as the dim level is adjusted and to a blue location aid when lights are switched off.

## BASIC OPERATION

The OCS-804 four-button low voltage dimmer functions as a momentary switch with a pulse length of 250 msec. Typically, it is used with any Cadence power pack with an auxiliary switch input option (e.g., PP-900-AX, PP-950-AX). Low voltage wire (typically 18 AWG) is used to connect the unit to the low voltage power, common, and relay status outputs from the power pack. The unit also includes a momentary switch output to signal the power pack. For applications requiring Vacancy (i.e., Manual On) operation, the switch signals the power pack to turn on lighting after the unit's button is pressed. For applications configured for auto-on operation, the switch allows a user to override lights off regardless of occupancy. To achieve multi-way switching, adding a single button switch (OCS-801) at each additional switch location is required. To facilitate dimming, the unit has a 0-10V output that is connected directly to fixtures. By default, the lights will always turn on at the last dim level, however, the unit can be programmed to turn-on to a preset level in order to accommodate partial-on applications.

## APPLICATIONS

A low voltage dimmer can be added to any space where 0-10V lighting is present. Energy codes require either Manual On or Partial On to 50% for many spaces such as:

- Private Office
- Open Office
- Conference Room
- Classroom
- Storage Room
- Break Room

## FEATURES

- Less than 1" Depth in Wall
- Multiway Switching Capable (e.g., 3-way, 4-way)
- Intuitive 4-Button Operation (On/Off/Raise/Lower)
- Adjustable Dimming Turn On Levels
- Brightness of White Status LED Tracks Dimming Level
- Blue Locator LED when Lights are Off
- Matches Styling of other Cadence Wall Devices
- Decorator Style Fits Common Wall Plates

## SPECIFICATIONS

### ELECTRICAL

#### OPERATING VOLTAGE

5-24 VDC

#### CURRENT DRAW

< 12 mA

#### DIMMING LOAD

50mA, (0-10 VDC ballasts or drivers compliant with IEC 60929 Annex E.2)

#### MOMENTARY PULSE LENGTH

250 msec

### ENVIRONMENTAL

#### OPERATING TEMP

32°F to 122°F (0°C to 50°C) - Standard  
-40° F/C (with -HE Option)

#### RELATIVE HUMIDITY

0-95% Non-Condensing, Indoor Use Only

### PHYSICAL

#### SIZE

2.74"H x 1.68"W x 1.39"D  
(6.96 x 4.27 x 3.53 cm)  
Fits Decorator Switch Plate Opening

#### DEPTH IN WALL

0.94" (23.88 mm)

#### WEIGHT

2.5 oz

#### MOUNTING

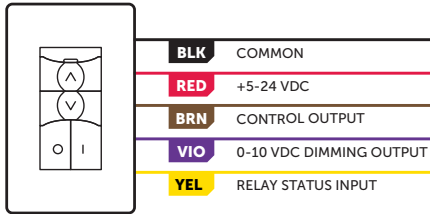
Single Gang Switch Box



# WIRING

## STANDARD WIRING

The OCS-804 dimmer is intended to be used with Cadence model PP-900-AX series or PP-950-AX series power packs. Usage with third party power packs, panels, or load controllers may result in limited or altered functionality. See notes below.

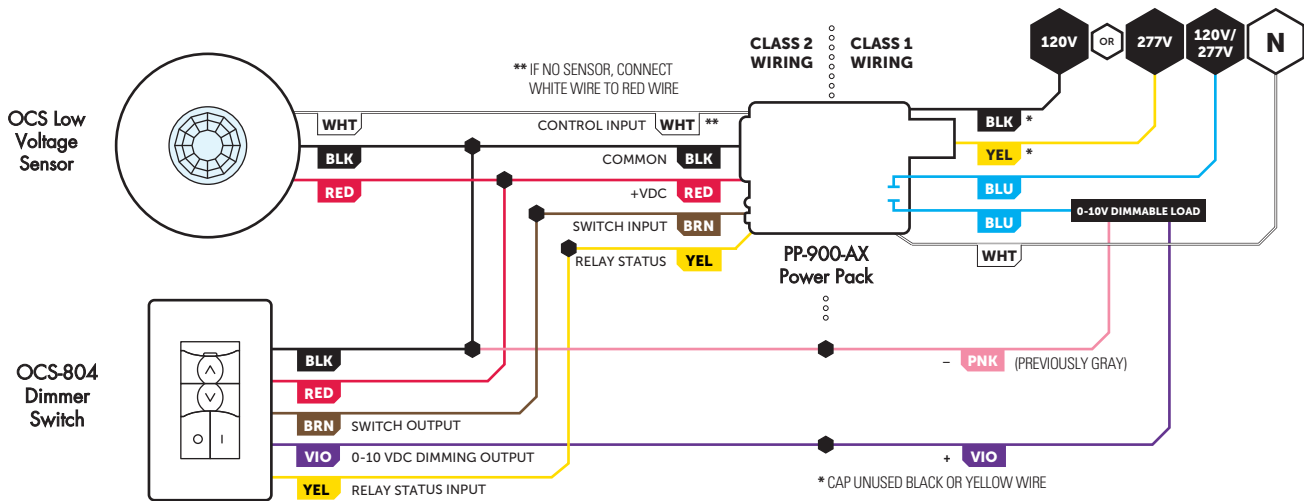


OCS-804  
Dimmer  
Switch

## MANUAL ON (VACANCY) OR PARTIAL-ON w/ FULL DIMMING CONTROL

- Lights turn on to last selected level (default) or to preset level (e.g., partial on).
- If no sensor is present, tie power pack low voltage red to low voltage white wire.
- Default operation of the PP-900-AX is Automatic On (Occupancy) operation. For proper vacancy or partial-on operation, the PP-900-AX's OPERATIONAL MODE setting needs to be configured for MANUAL ON (VACANCY)

**NOTE:** The OCS-804 can be wired to a third party power pack, panel, or load controller only if the yellow wire is connected to a low voltage relay status (i.e., pilot light) output. If the yellow wire is not connected or is tied +VDC, pressing one of the On/Off buttons will toggle lights while the other will have no function.

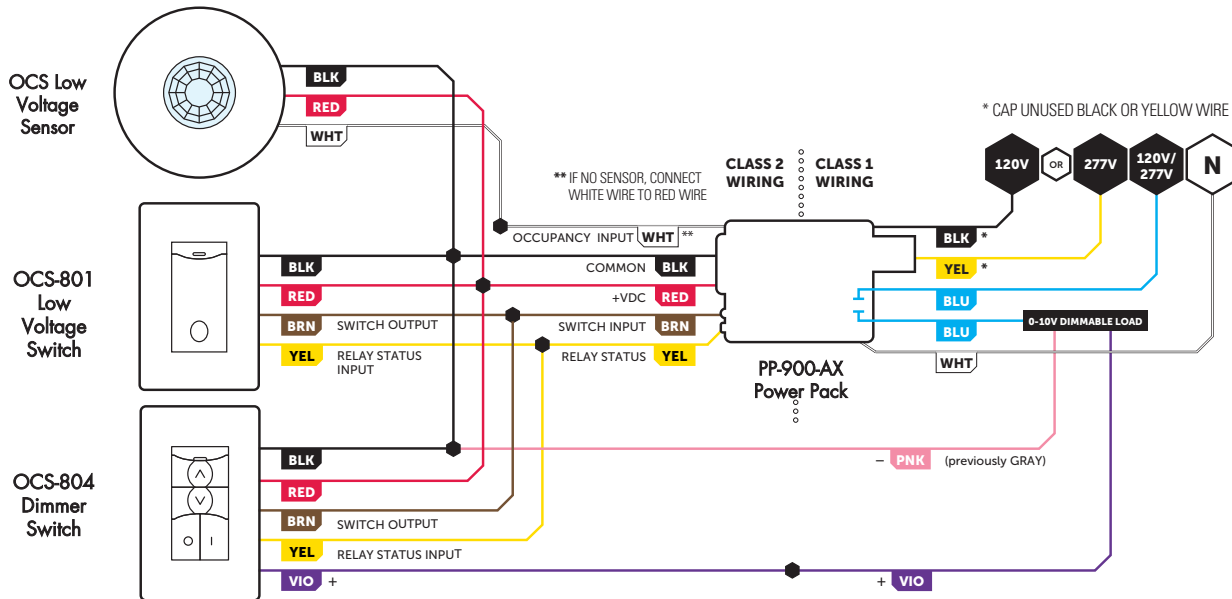


# WIRING CONT.

## 3-WAY, MANUAL ON (VACANCY) OR PARTIAL-ON w/ FULL DIMMING CONTROL

- Lights turn on to last selected level (default) or to preset level (e.g., partial on).
- If no sensor is present, tie the power pack low voltage red to low voltage white wire.
- Default operation of the PP-900-AX is Automatic On (Occupancy) operation. For proper vacancy or partial-on operation, the PP-900-A
- Only one OCS-804 dimmer can be included in 3-way configuration, otherwise the light levels will correspond to the dimmer with lowest current dim setting (low-man wins).

**NOTE:** The OCS-804 can be wired to a third party power pack, panel, or load controller only if the yellow wire is connected to a low voltage relay status (i.e., pilot light) output. If the yellow wire is not connected or is tied +VDC, pressing one of the On/Off buttons will toggle lights while the other will have no function.



# OPERATION SETTINGS

This dimmer includes several dimming parameters that can be adjusted to accommodate different applications or user preferences.

## LED FUNCTIONALITY

- The unit has one white LED whose brightness is relative to the current dim level when lights are on (LED can be disabled).
- When lights are off, the LED changes color to blue as a location aid (can be disabled).
- There are two LED brightness settings for the blue location LED.

## HIGH-END & LOW-END TRIM

- High-end trim enables energy saving task tuning by setting a maximum level (100%-50%) that which users are allowed to raise lights.
- Low-end trim enables minimum user level of dimmer to be raised.

## DIMMING CURVE

- The dimming curve defines how the dimmer unit adjust its voltage output in response to button commands.
- Linear (default), Square, Log

## TURN ON/TURN OFF DIMMING OPERATION

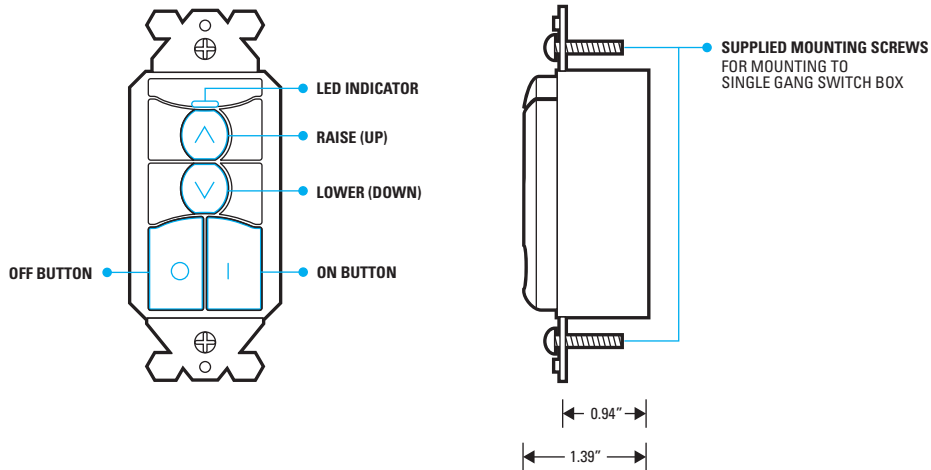
- Sensor turns on lighting to last user level or can be programmed to a preset level (100%, 50%, or custom).
- Sensor can turn off lighting by switching off power (by signalling a connected power pack) or by dimming below a driver's electronic off level.
- Lighting can also be held at low-end trim level during unoccupied/off state (high/low operation).
- Alternative operation includes signalling connected power pack, but not altering dimming output upon off button press.

## FADE ON/FADE OFF TIMES

- Adjustable time for level to ramp up to turn-on level (0.75 sec, 1.5 sec, 3 sec, 5 sec, or 15 sec)
- Adjustable time interval for level to ramp down to off (0.75 sec, 1.5 sec, 3 sec, 5 sec, or 15 sec).

# INSTALLATION

- Designed to mount in a 1-gang wall box with 3.28" hole spacing.
- Units can also share multiple gang wall boxes with other devices.
- Unit face is field removable in order to change colors. Contact factory for additional faces.



# ORDERING INFO

SAMPLE MODEL #: OCS-804-WH

		COLOR *	ADDITIONAL OPTIONS
OCS-804	4-Button Low Voltage Switch & Dimmer (0-10V)	White - <b>WH</b> Ivory - <b>IV</b> Light Almond - <b>LA</b> Gray - <b>GY</b> Black - <b>BK</b>	High Humidity Environment - <b>HE</b> 10 Pack** - <b>J10</b>

\*WALLPLATE NOT INCLUDED  
 \*\* THE CONTRACTOR PACK OPTION (-J10) REDUCES JOB SITE WASTE AND INVENTORY TIME

ACCESSORY		COLOR
OCS-199	Single Gang Wall Plate	White - <b>WH</b> Ivory - <b>IV</b> Light Almond - <b>LA</b> Gray - <b>GY</b> Black - <b>BK</b>
OCS-894-DFACE	Color Change Kit for OCS-804 Dimmer	